

Strong stirring power and stable rotation
There are 7 models of new series

Magnetic Stirrer
RCN-3,3D (Max.3L)
RCN-7,7D,7R (Max.7L)



Strong stirring power

Powerful cobalt magnet is not influenced by temperature difference. Magnet is capable of stirring with heating easily.

Highly resistant structure

Stirrer is made of non-flammable Grade resin (UL-94, V-2) which is compact, light, and yet durable.

Digital speed indicator

Digital speed enables actual reading the stirring speed correctly.

Precise stirring action

Stirrer with DC brushless motor is capable of running for long time.

Option support

Magnetic stirrer is ideal for centering vessels. Combined with an option support, round flask can be set-up easily.

Fixed temperature stirring and heat treatment stirring.

Combined with water bath, stirring at constant temperature can be realized.



SPECIFICATIONS

Model	RCN-3	RCN-3D	RCN-7	RCN-7D	RCN-7R
Stirring Range	100~1200rpm	20~1500rpm		20~1200rpm	
Stirring Volume		50ml ~ 3L		50ml ~ 7L	
Magnet		Cobalt Magnet		A Cobalt Magnet	
Thermometer		Digital		Digital	
Direction		one	one		Normal/Reverse
Motor	AC Motor	DC Brushless Motor		DC Brushless Motor	
Stirring Dimensions		ø150		226W x ø247	
Dimensions	198W x 225D x 75H			226W x 287D x 77H	
Power Consumption	25VA	10VA		12VA	
Power Requirement	AC 100/115	220/240V 50/60Hz		AC 100V 50/60Hz	
Material	Heat resistant Non-Flammable ABS resin			SUS-304	
Weight	1.3Kg	1.8Kg	3.6Kg	3.7Kg	3.7Kg
Standard Attachment	Teflon molded stirring bar (ø8mm x 30mm)		Teflon molded stirring bar (ø8mm x 40mm)		

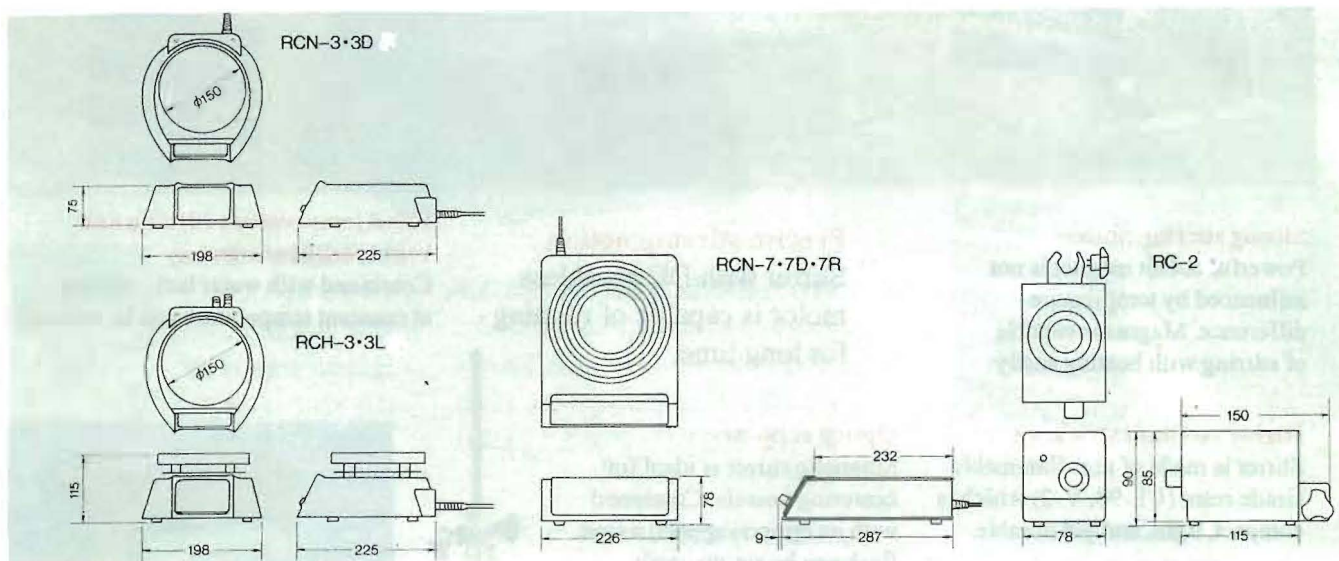
Compact and powerful Stirrer for titration Magnetic Stirrer Model RC-2

Specifications

Model	RC-2
Revolution	200~2000rpm
Stirring Capacity	100~1000ml
Stirring Bar	Teflon molded (ø8 x 30mm)
Weight	780g

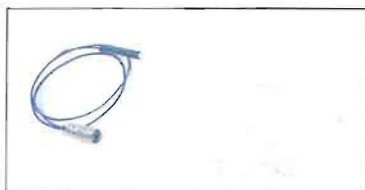


You can control the speed steplessly.
Ideal for titration. Compact design.
Powerful and convenient with a support stand clamp.



Optional Accessories

External Sensor Model RTS-1
for RCH-3L



Arbor Model RPS-30
for RCN-3,3D,RCH-3,3L

Silicone Sheet Model RM-3
for RCN-3, 3D
Model RM-7
for RCN-7, 7D, 7R

Stirring Bar (5pcs/set)
Model TSB-30 : ø8 x 30 (mm)
Model TSB-40 : ø8 x 40 (mm)



EYELA

EYELA is a registered trade mark of Tokyo Rikakikai Co., Ltd.
EYELA is a coined word from EYE and La from laboratory and signifies our commitment to the future of science.

TOKYO RIKAKIKAI CO., LTD.

3-3-4, Hon-cho Nihonbashi, Chuo-ku, Tokyo, Japan
Tel : 81/3-5201-6462, Fax : 81/3-3241-0177