

# Personal Organic Synthesizer Zodiac CCX-1100•1110•1300•1310

Two sizes of pressure-resistant vessels are available. Synthesis scale: 14ml (ø30), 63mL (ø60) x 4



Pressure-resistant vessel is easy to handle. Designed pressure is 20MPa. Protective pipe for temperature sensor is mounted in the ø60 vessel.

\*Changing the vessel for PPV-4060  
By using ø30 aluminum sleeve and ø30 pressure-resistant vessel (optional accessories), synthesis scale can be changed from ø60 to ø30.

## Handy pressure-resistant vessel with valve



Pressure-resistant vessel with valve (optional accessory) is useful for adding and exhausting hydrogen gas before and after implementing reaction experiment while the installation space is limited.

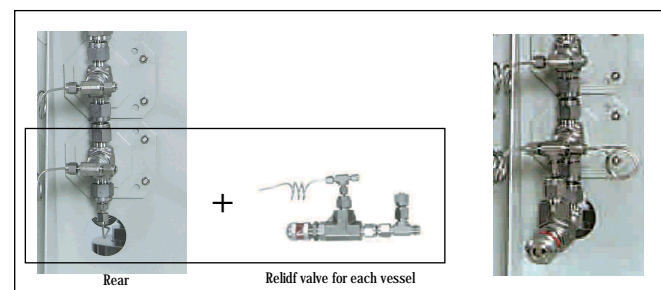
You can carry pressure-resistant vessel with valve easily. It cools down the vessel effectively after autoclave.

## Internal vessel (Glass, PTFE)



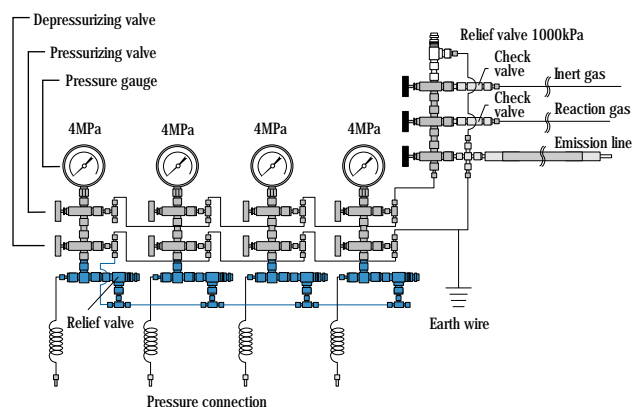
Glass vessel, which is useful for handling sample, is supplied with pressure-resistant vessel as standard. PTFE vessel, which can accommodate fluorinated acid, is also available as an optional accessory.

## Relief valve for each vessel (option)



Relief valve can be attached to the pressure-resistant vessel if required. It releases inner pressure at the setting value when catalyst reaction proceeds excessively or controlling upper pressure limit of autoclave. It controls the pressure at the setting value automatically.

## Attaching 4 relief valves for each vessel



Monitoring the reaction temperature. Chemi Thermo monitoring unit. (option)



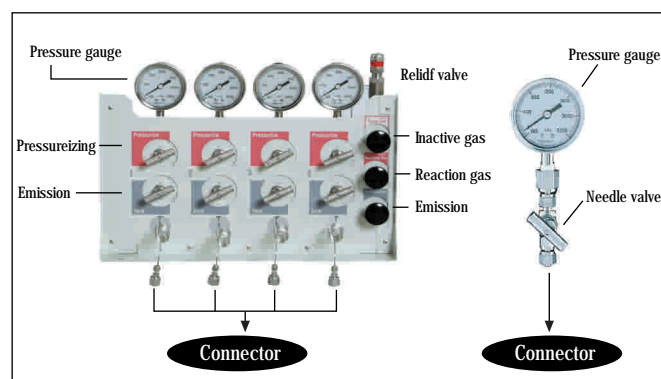
Available only for PPV-4060. By connecting soft thermo (temperature interface), the temperatures of sample liquids contained in four vessels can be monitored while implementing the reaction and save the record as a file.

## \*Operating condition (E830)

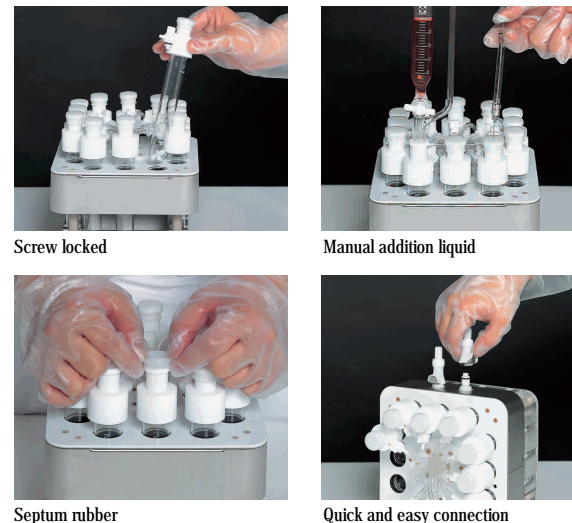
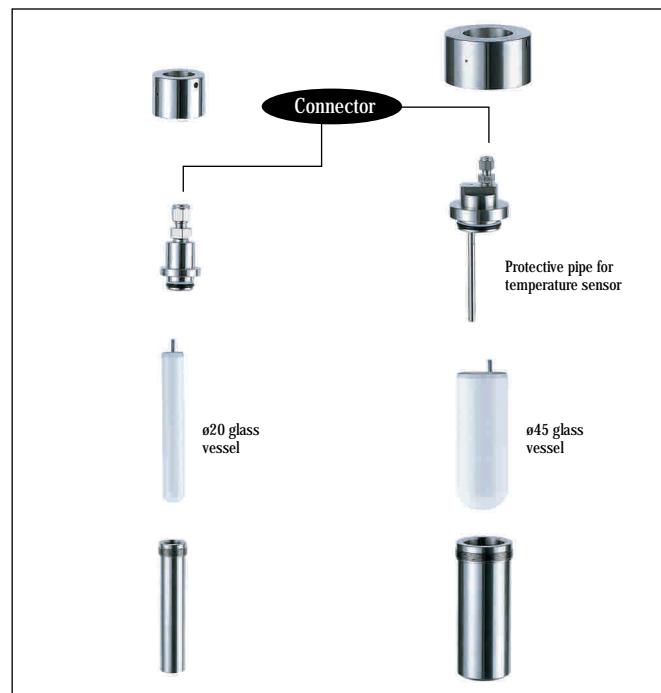
OS: Windows 95/Windows 98/Windows Me/Windows XP  
PC: DOS/V and NEC PC-9821  
RS-232C port is required (usb is also available).  
CPU: Pentium 90MHz or higher Memory; More than 16MB (32MB is recommended).  
Hard disk: More than 20MB, Screen size: 800 x 600 dots or more

\*In some cases the instrument may not work even though the operating condition is appropriate. Since testing soft thermo device is available, please check the connections and operations before using the actual instrument.

## High pressure gas introduction



## Pressure-resistant vessel



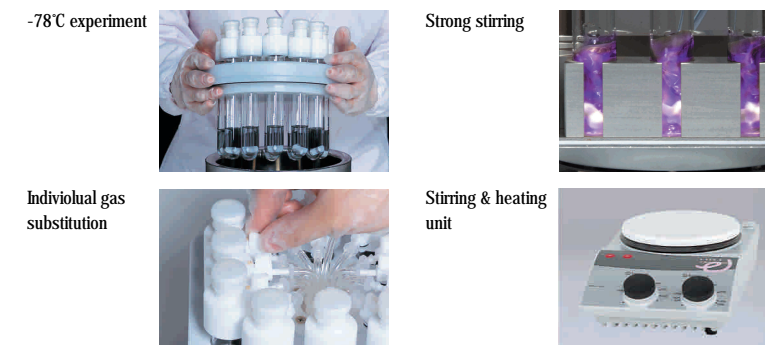
Zodiac CCX-1100•1110 is designed to be used by individual chemists, allows chemists to perform 12 reactions, with a working volume of 3mL to 15mL x 12 reactions. This allows the multiple parallel synthesis, brings benefit in drug and compound discovery and chemical development (optimization). Provided as standard with heating, stirring, refluxing and gas purging facilities to be equipped. Light weight and compact size to be set anywhere required, suitable for the personal use.

## Features

- The single powerful magnetic inductive stirring drive to stir all 12 glass reaction tubes. With a new, extremely powerful magnetic inductive stirring drive, it has high traction power and is maintenance-free, since the drive contains no mechanically moving parts. Thanks to the new "micro-step", activation speed of less than 150rpm has been made possible.
- Electronic temperature controller with Fuzzy logic control from ambient to 160°C. With digital temperature display. new technology for fast heat-up cycles with a chemical resistant white coated plate surface.
- Efficient Refluxing with a Integral Water Cooled Aluminum Block. (eg. DCM b.p.+20°C, Reflux Loss, 4 HR: 1%).
- Inert Atmosphere: Central inlet for vacuum and inert gas, combined with PTFE caps, allows reaction under an inert atmosphere. PTFE caps with PTFE valve allows individual reaction to be isolated.

## Specifications

Product name		Personal Organic Synthesizer Zodiac			
Model		CCX-1100		CCX-1110	
Cat. No		208709	208708	208809	208808
Available number of reaction vessel		1 to 12 positions (Max. 32 pcs)			
Synthesis scale (Working Volume)		3mL to 15mL			
Stirring system		Ferromagnetic stirrer			
Performance	Temperature control range	RT+15°C to 160°C			
	Range of stirring speed	Approx.50 to 900rpm (in water)			
	Temperature setting & display	Membrane padkey input, digital display			
	Stirring speed setting & display	Volume setting, analogue display			
	Gas substitution	By reducing pressure and replacing air with inert gas			
Design	Refluxing	Possible			
	Sample injection	Pipette, syring, dripping funnel			
	Reaction observation	Through the slit of the aluminum block			
	Ambient temperature	5°C to 35°C			
	Overall dimensions (mm) & weight	195(W) x 280(D) x 490(H). 8kg			
Components	Input voltage	115V	230V	115V	230V
	Input power	5.5A, 630VA	2.7A, 630VA	5.5A, 630VA	2.7A, 630VA
		50/60Hz			
	1. Temperature controller	ITP-1000 CATALOG NO. 205050			
2. PTFE Capes, come complete with glass reaction tubes (12pcs)	CCX-10TC Catalogue No.198720 (Simple tube without rim)		CCX-11TC Catalogue No.205050 (Tube is screw locked with rim)		
	3. Aluminium block, comes complete with standard stirring bars (12pcs)				
	CCX-11A type Catalogue No.198719				
4. Stirring & heating unit	ERC-1000H Catalogue No.198959 (115V)				
	ERC-1000H Catalogue No.198958 (230V)				



Product name		Personal organic synthesizer Zodiac Glacier			
Model		CCX-1300		CCX-1310	
Catalogue No.		214739	214738	214749	214748
Voltage		115V	230V	115V	230V