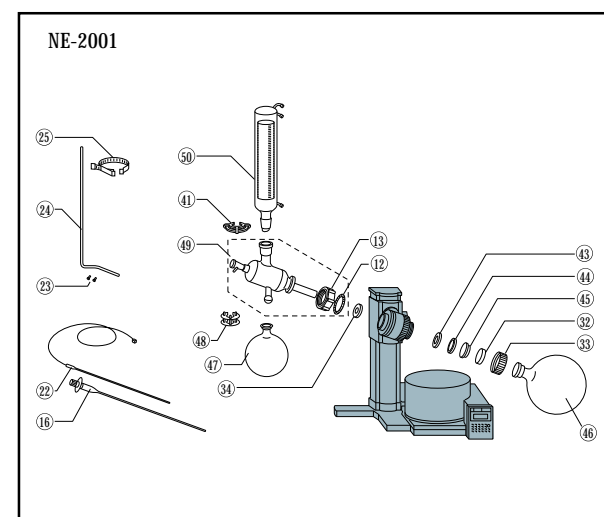
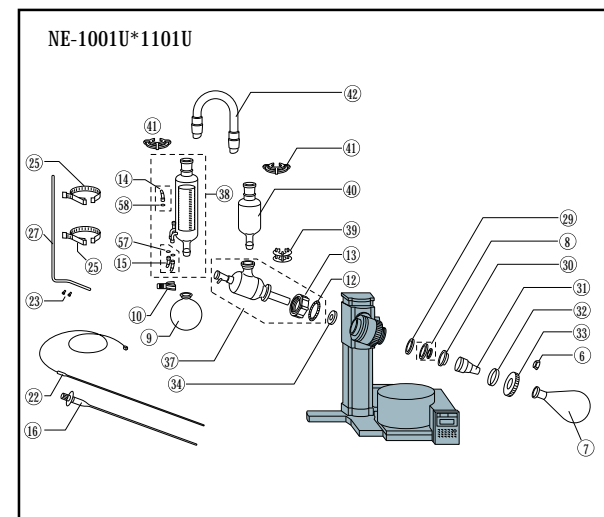
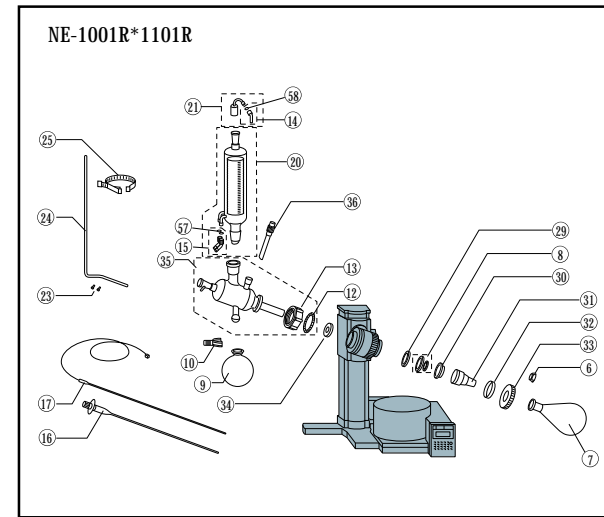


Spare Parts for rotary evaporators



No.	Parts name	Description	Quantity	Part No.
1	Sleeve pin	N, NE type	2	142650
2	Rotation stopper	NE type	1	187840
3	Screw for removing flask	NE type	1	187850
4	Rotary joint	272mm ϕ 29/38	1	142500
5	Cutting screw	NE type	1	187860
6	Joint clip (Plastic)	ϕ 29	2	142540
6	Joint clip (metallic)	ϕ 29	1	187890
7	Pear-shaped sample flask	1000mL ϕ 29/32	1	116190
8	Vacuum seal	N-NE-S-V-C-T-R-U	2sets	142610
9	Receiving flask	1000mL S35/20	1	116340
10	Ball joint clamp	S35 (SUS)	1	202790
11	Diagonal Condenser	Double spiral coil	1	187780
12	Ring spring	N-NE type	1	142710
13	Cap screw	N-NE type	1	142700
14	Nozzle sets (white)	N-NE type	3sets	142690
15	Cooling nozzle sets (light blue)	N-NE type	2sets	178900
16	Capillary tube for vapor sensor	NE type PTFE tube	1	187830
17	Vapor sensor	S-R type	1	185170
18	Rotary joint	178mm S29/38	1	142520
19	Adaptor (trap monifold)	V-T type	1	911160
20	Vertical condenser	Double spiral coil	1	187790
21	Suction nozzle	N-NE type	1	142620
22	Vapor sensor	NE-V-T-R type	1	185180
23	Setting screw	N-NE type	2	187910
24	Support for condenser	C-U type	1	185210
25	Condenser holder	N-NE-1001-1101-2001	1	185240
26	Condenser	Vertical double spiral coil with adaptor	1	187800
27	Condensor support	C-U type	1	185220
28	Condensor (Vertical trap)	Cold finger	1	187920
29	Teflon packing	NE-R-U type	1	185200
30	Seal defender	NE-R-U type	1	185250
31	Joint adapter	ϕ 29/38	1	142840
32	Soft packing	NE-R-U-2001 type	1	142990
33	Cap screw for sample flask	NE-R-U-2001 type	1	913690
34	Rubber packing	NE-R-U-2001 type	2	143010
35	Adaptor (built in rotary joint)	NE-R type	1	185150
36	Stop valve	NE-R type	1	143030
37	Adaptor (Joint trap)	NE-U type	1	185160
38	Condenser	Descending condenser	1	187810
39	Ball joint clamp	NE-U type	1	143160
40	Expansion chamber	NE-U type	1	142930
41	Joint clip	ϕ 45	1	142860
42	Connecting tube	NE-U type	1	142940
43	Teflon packing	NE-2001 type	1	143000
44	Vacuum seal	NE-2001 type	1	143940
45	Seal defender	NE-2001 type	1	142950
46	Sample flask	5000mL	1	142820
47	Receiving flask	3000mL S35/20	1	116360
48	Ball joint clamp	NE-2001 type	1	143020
49	Adaptor	NE-2001 type	1	142980
50	Condenser	Vertical triple spiral	1	142880
51	Capillary	ϕ 19/40 PTFE tube	1	116540
53	Rotary joint ring	N-1001 type ϕ 29	2	192600
54	Flask remover	N-1001 type	1	192610
55	Support poll for condenser	N-1001V-T type	1	192620
56	Knob bolt	N-1001V-T type	1	195060
57	Nozzle packing	N-NE type	12	142691
58	Viton O-ring for nozzle set	N-NE type	4	202770

*Rotary joint (vapor duct)



*Standard type			
Length(mm)	TSJ	Cat. No.	
*272	ϕ 29/38	142500	
272	ϕ 24/40	142510	
*178	ϕ 29/38	142520	
178	ϕ 24/40	142530	

* Included in standard setup.

*Thick type

Length(mm)	STJ	Cat. No.	
272	ϕ 29/38	142500	
272	ϕ 24/40	142510	
178	ϕ 29/38	142520	
178	ϕ 24/40	14250	

*Transparent joint type			
Length(mm)	TSJ	Cat. No.	
272	ϕ 29/38	116600	
272	ϕ 24/40	116610	
178	ϕ 29/38	116620	
178	ϕ 24/40	116630	

*Sample flask (pear shaped)



Spec. ϕ 29/38		Spec. ϕ 24/40	
Capacity	Cat. No.	Capacity	Cat. No.
50mL	216720	50mL	216800
100mL	216710	100mL	216810
250mL	216720	250mL	216820
500mL	216730	500mL	216830
*1L	216740	1L	216840
2L	216750	2L	216850

* Included in standard setup.

*Receiver flask



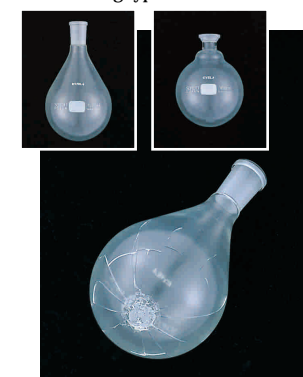
Standard type (Ball joint S35/20)	
Capacity	Cat. No.
100mL	116300
200mL	116310
300mL	116320
500mL	116330
*1L	116340
*2L	116350

*Above-mentioned are standard equipments of Rotary Evaporator.

*Receiver flask with drain cock (Ball joint ϕ 35/20)	
Capacity	Cat. No.
500mL	116370
1L	116380

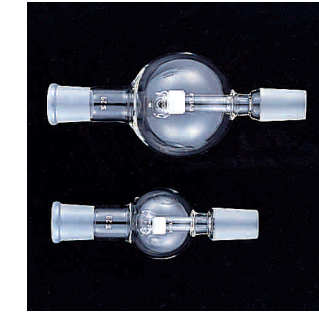
*Jacket type receiver flask (Ball joint ϕ 35/20)	
Capacity	Cat. No.
1L	116390

*Film coating type flask



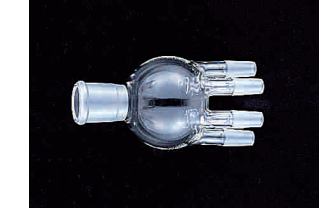
Model	Cat. No.
Y-FJ-100	116390

*Trap Bulb



Capacity	TSJ		Cat. No.
	ϕ 29 x 29	ϕ 29 x 24	
100mL	ϕ 29 x 29	ϕ 29 x 24	116700
	ϕ 29 x 24	ϕ 29 x 19	116710
	ϕ 29 x 19	ϕ 29 x 15	158700
	ϕ 29 x 15	ϕ 24 x 24	116720
	ϕ 24 x 24	ϕ 24 x 19	116730
	ϕ 24 x 19	ϕ 24 x 15	156710
200mL	ϕ 29 x 29	ϕ 29 x 24	116740
	ϕ 29 x 24	ϕ 29 x 19	116750
	ϕ 29 x 19	ϕ 29 x 15	156680
	ϕ 29 x 15	ϕ 24 x 24	116770
	ϕ 24 x 24	ϕ 24 x 19	156690
	ϕ 24 x 19	ϕ 24 x 15	116790
300mL	ϕ 29 x 29	ϕ 29 x 24	116800
	ϕ 29 x 24	ϕ 29 x 19	156650
	ϕ 29 x 19	ϕ 29 x 15	116820
	ϕ 29 x 15	ϕ 24 x 24	116830
	ϕ 24 x 24	ϕ 24 x 19	156660
	ϕ 24 x 19	ϕ 24 x 15	116840
500mL	ϕ 29 x 29	ϕ 29 x 24	116850
	ϕ 29 x 24	ϕ 29 x 19	156610
	ϕ 29 x 19	ϕ 29 x 15	116860
	ϕ 29 x 15	ϕ 24 x 24	156630
	ϕ 24 x 24	ϕ 24 x 19	156640
	ϕ 24 x 19		

*Test Tube Adapter



Test tube joint	Joint	Cat. No.
ϕ 15/25	ϕ 29/38	116550
ϕ 15/25	ϕ 24/40	143870

Test tube	Spec.	Cat. No.
	ϕ 15/25(6 pcs/set)	201450

*Adapter for different diameters



	Spec.		Cat. No.
	ϕ 29*24	ϕ 29*19	
For Rotary Joint	ϕ 29*19	ϕ 29*15	116880
	ϕ 24*29	ϕ 24*19	116900
	ϕ 24*19	ϕ 24*15	116910
For Safety Cap	ϕ 29*24	ϕ 29*19	116920
	ϕ 29*19	ϕ 29*15	116930
	ϕ 29*15		116950

*Cooling Hose set



Tube ID	Cat. No.(2m)	Cat. No.(5m)
9.0mm	112700	174420
15.0mm	143340	174460

*Vacuum Hose



Spec.	Cat. No.	Q'ty
ID6*OD15mm	119170	5m
ID12*OD30mm	119210	5m